

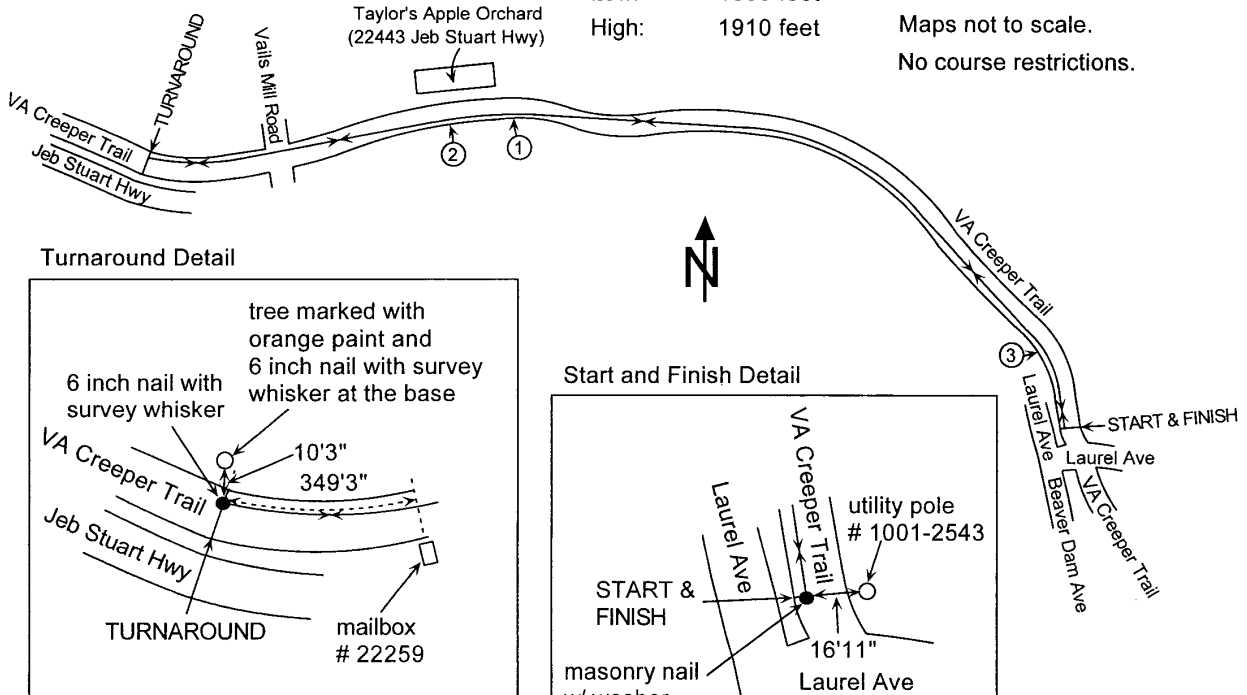
Justin Foundation Scholarship 5K
 Damascus, VA

Measured by: Matthew Studholme
 Date: October 1, 2006

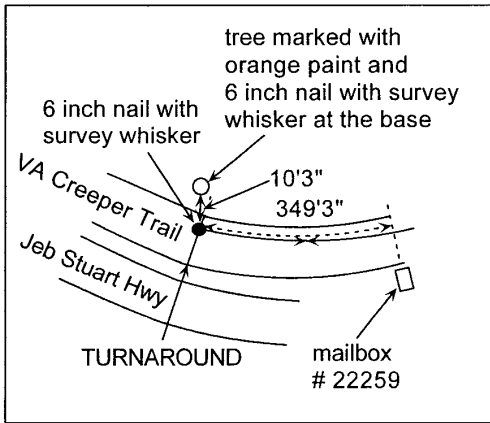
USATF-Certified Course VA06006MS

Elevations:
 Start: 1910 feet
 Finish: 1910 feet
 Low: 1890 feet
 High: 1910 feet

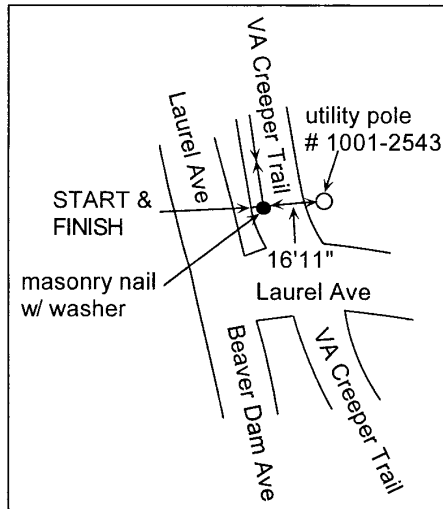
All intersecting roads
 are shown.
 Maps not to scale.
 No course restrictions.



Turnaround Detail



Start and Finish Detail



GPS Locations of Splits:

Start & Finish :	N36°38.151 W081°47.531
Mile 1:	N36°38.541 W081°48.398
Turnaround:	N36°38.467 W081°48.980
Mile 2:	N36°38.533 W081°48.507
Mile 3:	N36°38.243 W081°47.569

<p><i>Split Locations, all marked with orange paint and with 6" nails with survey whiskers, except start and finish which is marked with orange paint and a masonry nail with a washer.</i></p>	<p>Start / Finish: On VA Creeper Trail (this section a.k.a. Daniel Boone Road): 16'11" west (270°) of utility pole # 1001-2543.</p>	<p>Mile 1: On VA Creeper Trail: 9'2" northeast (40°) of "SANITARY SEWER" cover, approx. 30 feet east of east end of Taylor's Apple Orchard fence line.</p>
<p>Turnaround: On Virginia Creeper Trail: 10'3" south (180°) of tree marked with orange paint and 6 inch survey whisker placed at its' base. Also 349'3" west of point on course parallel with mailbox # 22259</p>	<p>Mile 2 (after Turnaround): On Virginia Creeper Trail, 11 fence posts west of main entrance to Taylor's Apple Orchard (fence post #1 is adjacent to west gate post of main entrance): 18'3" northeast (50°) of "SANITARY SEWER" cover.</p>	<p>Mile 3: On Virginia Creeper Trail: 56'2" south (160°) of utility pole # 1001-C4252S. Marker is 5 crash barrier supports south of utility pole.</p>