

Lockport Y-10

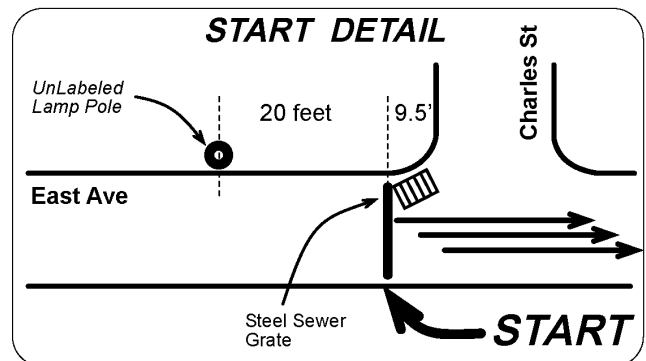
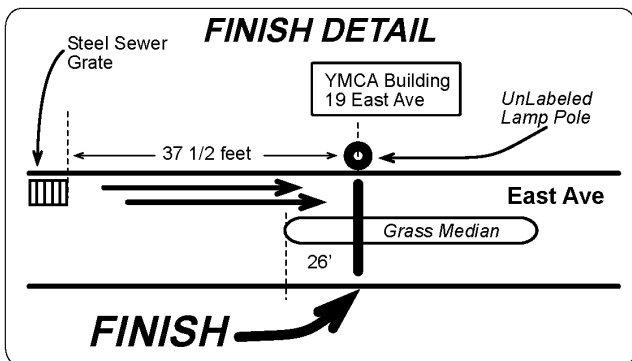
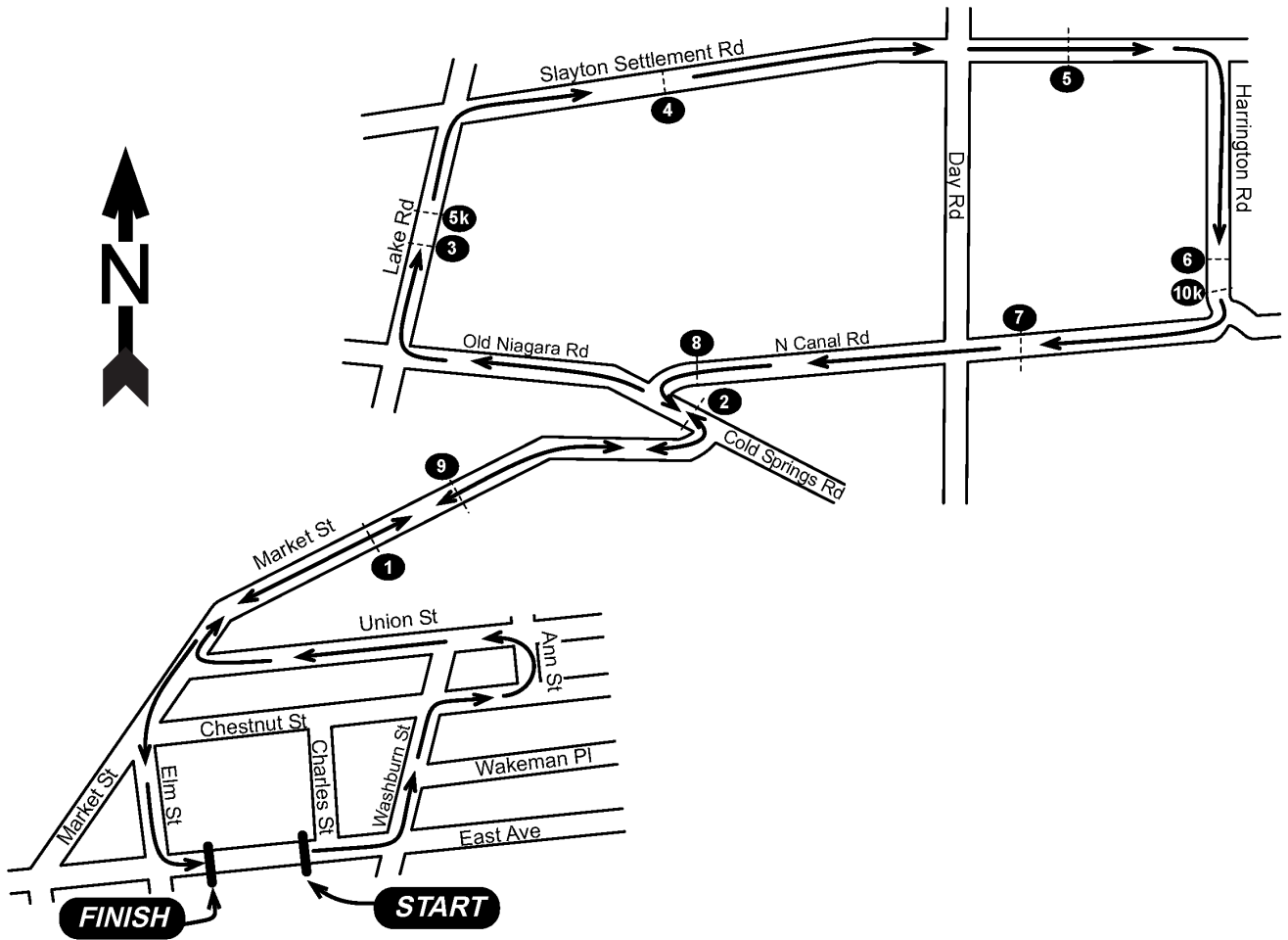
Lockport, NY



Certified Course NY15001JJ

Effective: 1/02/2015
Through: 12/31/2025

Course Distance:	10 Miles
Date Measured:	December 28, 2014
Measured By:	Jeff John <i>BuffaloRunners.com</i>
Calibration Course:	NY14001JJ
Notes:	Map not to scale. Runners may have use of entire road surface.





**Road Running Technical Council
USA Track & Field**

Measurement Certificate



Name of the course Lockport Y-10 Distance 10 Miles

Location (state) New York (city) Lockport

Type of course: road race calibration track Configuration: Complex of loops

Type of surface: paved 100 % dirt - % gravel - % grass - % track - %

Elevation (meters above sea level) Start 188 Finish 188 Highest 188 Lowest 115

Straight line distance between start & finish 79 meters Drop 0 m/km Separation 0.5 %

Measured by (name, address, phone & e-mail) Jeff John, PO Box 608, Amherst NY 14226
jeff@BuffaloRunners.com

Race contact (name, address, phone & e-mail) Jeff Tracy, 19 East Ave, Lockport NY 14094
jeff@score-this.com

Measuring Methods: bicycle steel tape electronic distance meter

Number of measurements of entire course: 2 Date(s) when course measured: December 28, 2014

Race date: February 14, 2015 Course certification effective date: January 3, 2015

Certification code: NY15001JJ

Notice to Race Director: Use this Certification Code in **all** public announcements relating to your race.

Be It Officially Noted That

Based on examination of data provided by the above named measurer, the course described above and in the map attached is hereby certified as reasonably accurate in measurement according to the standards adopted by the Road Running Technical Council. If **any** changes are made to the course, this certification becomes void, and the course must then be recertified.

Verification of Course — In the event a National Open Record is set on this course, or at the discretion of USA Track & Field, a verification remeasurement may be required to be performed by a member of the Road Running Technical Council. If such a remeasurement shows the course to be short, then all pending records will be rejected and the course certification will be cancelled.

This certification expires on December 31 in the year **2025**

AS NATIONALLY CERTIFIED BY:

Jeffrey D John

Date: January 3, 2015

Jeff John, USATF/RRTC Certifier | PO Box 608 Amherst NY 14226 | (716) 982-4779 | Jeff@BuffaloRunners.com

Date: _____

RRTC Chairperson

NY15001JJ
 January 3, 2015

Lockport Y-10 Mile and Kilometer Splits

START	43 East Ave, and at the NW corner of intersect of East Ave and Charles St, and 20' east of unlabeled Lamp Pole north side of East Ave, and 9.5 feet east of the plane of the west edge of Charles St, and at the west corner of steel sewer grate at the NW corner of the intersection.
1 MILE	391 Market St and 4 feet past pole # NYT 34, which is past (east of) Adam St.
2 MILE	On Cold Springs Rd, mid-bridge, 200 feet past intersect with Market St.
3 MILE	On Lake Ave before (south of) Heather Dr, and at pole NYSEG 43 / NYT 45, and 212 feet before (south of) Heather Dr.
5K	On Lake Ave, past (north of) Heather Dr, and 50 feet before (south of) pole NYSEG 48, and 100 feet before MBX of 4419 Lake Ave.
4 MILE	6655 Slayton Settlement Rd, and 12 feet before MBX of 6655 Slayton Settlement Rd.
5 MILE	7095 Slayton Settlement Rd, and 86.5 feet past (east of) pole # NYSEG 1415 / 53.
6 MILE	On Harrington Rd, and 157 feet past (south of) hydrant at 4393 Harrington Rd.
10K	On Harrington Rd at start of curve in road, and 95 feet past hydrant # 5, and 54 feet before yellow bridge clearance sign: 12' 9".
7 MILE	N Canal Rd before (east of) Day Rd, and 15 feet before yellow left-arrow sign, and 462 feet before (east of Day Rd).
8 MILE	At MBX of 6629 N Canal Rd
9 MILE	at 537 Market St
15K	at 365 / 355 Market St, and 25 feet before (east of) pole # NYT 31.
FINISH	At 19 East Ave in front of the YMCA building and exactly at the vertical center of the unlabeled lamp pole in front of main "Y" entrance, and 26 feet east of the west edge of the center median, and 37' 6" past (east of) steel sewer grate on north side of road.