

Eglin AFB, FL 32542 - Gate to Gate 4.4 Mile (2016)

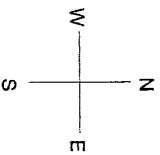
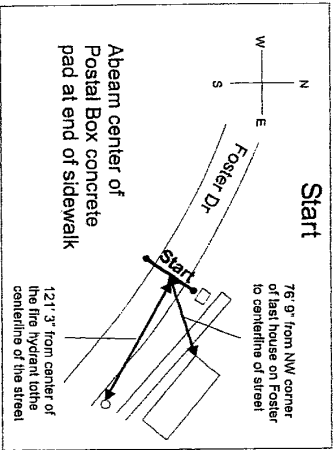
Runners will start on Foster Dr, just south of the Child Development Center, heading NW. At the Fire Station, the course turns right on Gaffney Rd, Runners will continue up Gaffney to make a right turn onto Eglin Pkwy. The course continues past the Memorial and around the Runway. Just past the 2 Mile mark, the course turns right onto Memorial. The course passes the BX, and at the top of the hill, the course turns right onto Chinquapin Dr to finish in front of Oak Hill Elementary.

Mile 1: On a direct line from a Comm Box on N side of road and Center of Control Tower

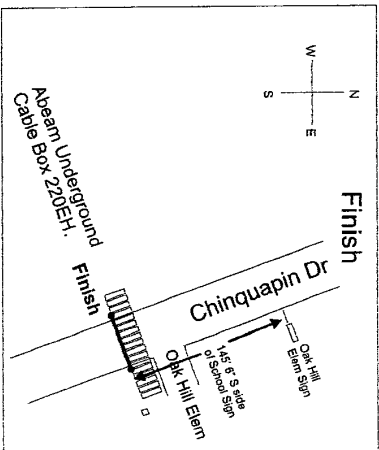
Mile 3: 25' 10" W of Phone Box and 70' 7" E of Telephone Pole on south side of road at the Riding Stables road.

Mile 2: 111' 8" E of Eastern Edge of Eastern most Concrete Box at drainage ditch at south end of Runway 12/30

Mile 4: 25' N of Northern Edge of Concrete Box on W side of road and 99' 7" N of "Gil" Box west of Satellite Pharmacy
USATF # FL16037EBW, Effective Mar. 23, 2016 to Dec. 31, 2026

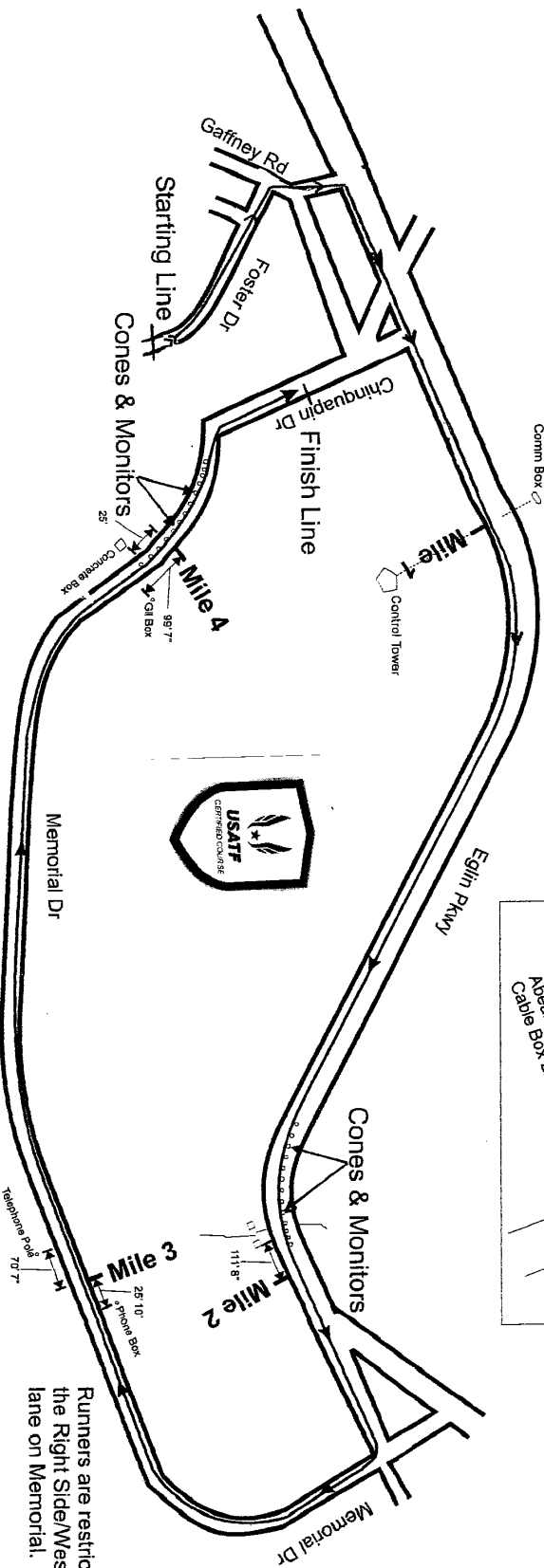


Runners are restricted to the two East Bound/South Side lanes on Eglin Pkwy



measured by:

Bill McGuire
 1978 Setting Sun Trail
 Tallahassee, FL 32303
 (850) 562-2295
 bmcguire31@centurylink.net



Runners are restricted to the Right Side/West Bound lane on Memorial.



**Road Running Technical Council
USA Track & Field**

Measurement Certificate

recognized by



Name of the course Gate to Gate 4.4 mile (2016) Distance 7,081 meters
 Location (state) Florida (city) Eglin Air Force Base
 Type of course: road race calibration course track
 Measuring methods: bicycle steel tape electronic distance meter
 Measured by (name, address, phone & e-mail) Bill McGuire, 1978 Setting Sun Trail, Tallahassee, Florida
32303 850-562-2295 bmcguire31@centurylink.net
 Race contact (name, address, phone & e-mail) Ed Vieth, AFMC 96 FSS/FSVF, Eglin AFB, Florida 32542
850-882-2927 eglinafbgatetogate@gmail.com
 Date(s) when course measured: March 7, 2016
 Number of measurements of entire course: 2 Course Configuration: Loop
 Elevation (meters above sea level) Start 18m Finish 18m Highest 18.9m Lowest .9m
 Straight line distance between start & finish 305m Drop 0 m/km Separation 4.3 %
 Type of surface: paved 100 % dirt % gravel % grass % track %
 Effective date of certification: March 23, 2016 Certification code: FL16037EBM

Notice to Race Director: Use this Certification Code in *all* public announcements relating to your race.

Be It Officially Noted That

Based on examination of data provided by the above named measurer, the course described above and in the map attached is hereby certified as reasonably accurate in measurement according to the standards adopted by the Road Running Technical Council. If *any* changes are made to the course, this certification becomes void, and the course must then be recertified.

Verification of Course — In the event a National Open Record is set on this course, or at the discretion of USA Track & Field, a verification remeasurement may be required to be performed by a member of the Road Running Technical Council. If such a remeasurement shows the course to be short, then all pending records will be rejected and the course certification will be cancelled.

This certification expires on December 31 in the year 2026

AS NATIONALLY CERTIFIED BY:

Everett McDowell

Date: March 28, 2016

Everett McDowell - USATF/RRTC Certifier

1256 Stony Brook Lane, Dunedin, Florida 34698 727-644-7608 emcdowell5@tampabay.rr.com