

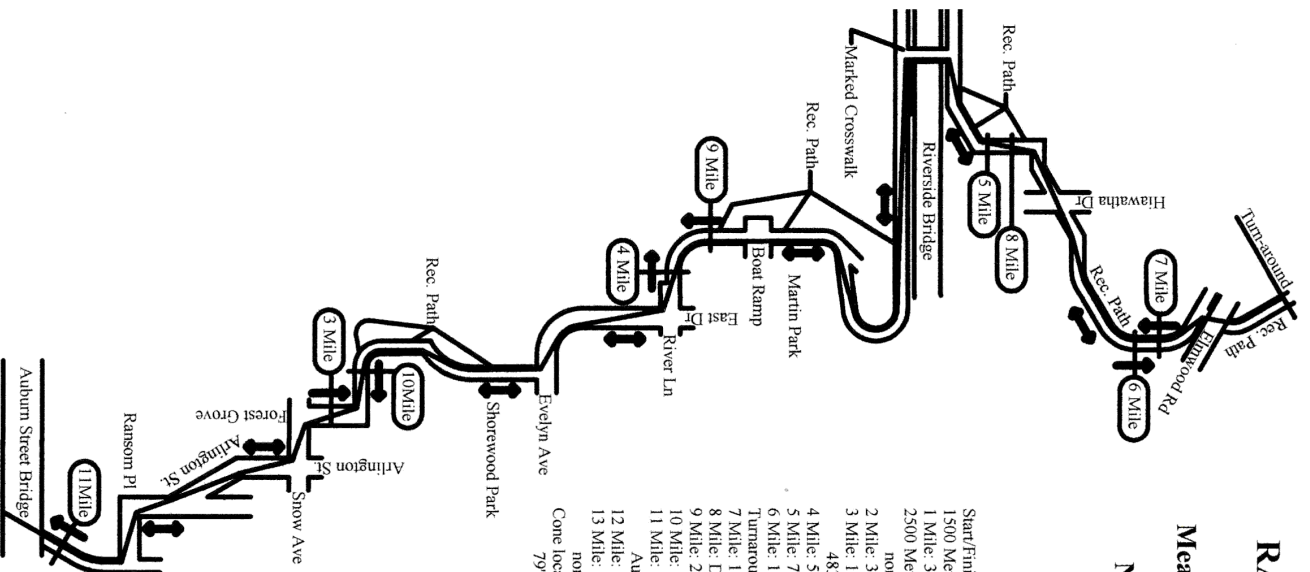
RAMP Half Marathon Rockford, Illinois

Measured by Norman Yarger

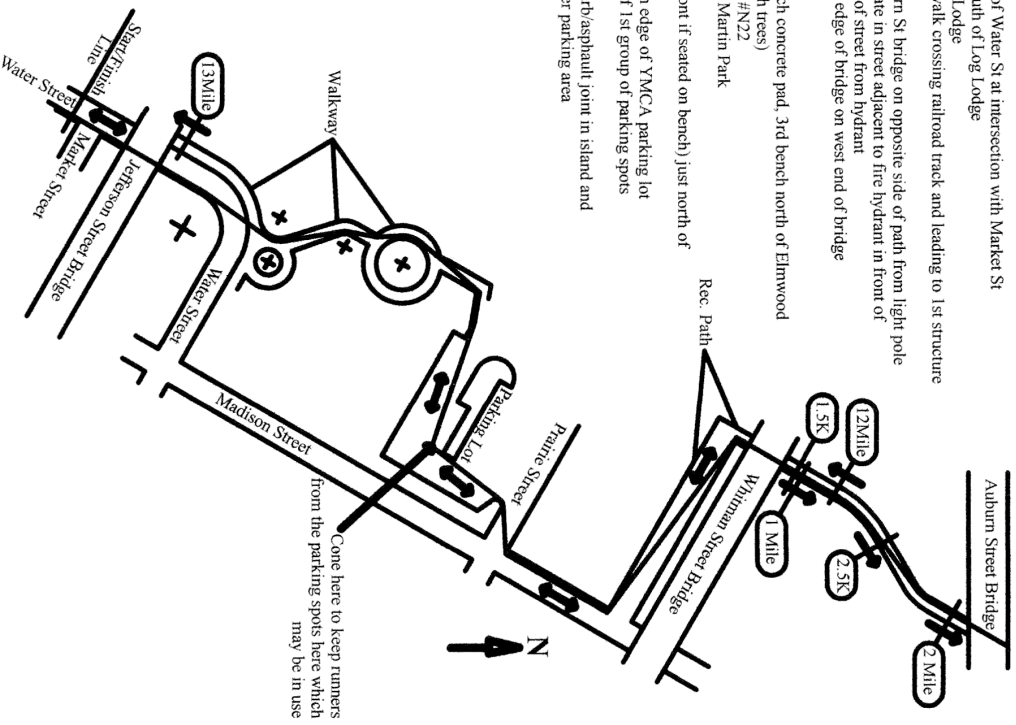
August 13, 2017

NYarger@yahoo.com

USATF Certificate IL17063NM
Effective Aug. 18, 2017 - Dec. 31, 2027



- Start/Finish: South edge of storm sewer grate, west side of Water St at intersection with Market St
- 1500 Meter: 2'-4" south of concrete/asphalt joint just south of Log Lodge
- 1 Mile: 39'-1" north of 2nd light pole face north of Log Lodge
- 2500 Meter: 50'-0" south of light pole face north of sidewalk crossing railroad track and leading to 1st structure north of Nichols Conservatory
- 2 Mile: 31'-4" south of 2nd light pole face south of Auburn St bridge on opposite side of path from light pole
- 3 Mile: 104'-4" south-southwest of centerline of water plate in street adjacent to fire hydrant in front of 4831 Forest Grove St on curb on the opposite side of street from hydrant
- 4 Mile: 55'-9" east of light pole face adjacent to southern edge of bridge on west end of bridge
- 5 Mile: 55'-9" east of light pole #N17 face
- 6 Mile: 111'-2" north of northeast corner of park bench concrete pad, 3rd bench north of Elmwood
- 7 Mile: 107'-4" northeast of light pole #N54 face
- 8 Mile: 78'-5" south of light pole #N54 face
- 9 Mile: 86'-7" north of northeast corner of park bench concrete pad, 3rd bench north of Elmwood
- 10 Mile: 107'-4" northeast of light pole #N58 face (through trees)
- 11 Mile: 107'-4" northeast of light pole #N58 face (through trees)
- 12 Mile: Directly across path from centerline of light pole #N22
- 13 Mile: 28'-2" north of flag pole face near the pavilion in Martin Park
- 14 Mile: 61'-7" east of light pole #M04
- 15 Mile: 74'-11" north of park bench pad corner (right front if seated on bench) just north of Auburn St bridge
- 16 Mile: 26'-7" north of 2nd light pole face north of north edge of YMCA parking lot
- 17 Mile: 12'-2" south of curb expansion joint just north of 1st group of parking spots north of Jefferson St bridge
- 18 Mile: Come location in Prairie St parking lot: 16'-6" south of curb/asphalt joint in island and 79'-0" west from similar joint at curb for boat trailer parking area





**Road Running Technical Council
USA Track & Field**

Measurement Certificate



Name of the course RAMP Half Marathon Distance 21.0975 km
 Location (state) IL (city) Rockford
 Type of course: road race calibration course
 Measuring method: bicycle steel tape electronic distance meter
 Measured by (name, address, phone & e-mail) Norman Yarger, 2685 Graham Rd, Belvidere, IL 61008,
(815) 298-2966, NLYarger@yahoo.com
 Race contact (name, address, phone & e-mail) Lynne Pratt, 5875 E. Riverside Blvd, Rockford, IL 61114,
(815) 381-7382, lynnep@orthoillinois.com
 Date(s) when course measured: Aug. 13, 2017
 Number of measurements of entire course: 2 Course Configuration: Out-and-Back
 Elevation (meters above sea level) Start 219 m Finish 219 m Highest 232 m Lowest 215 m
 Straight line distance between start & finish 0 Drop 0 m/km Separation 0 %
 Type of surface: paved 100 % dirt _____ % gravel _____ % grass _____ % track _____ %
 Effective date of certification: Aug. 18, 2017 Certification code: IL17063NM

Notice to Race Director: Use this Certification Code in *all* public announcements relating to your race.

Be It Officially Noted That

Based on examination of data provided by the above named measurer, the course described above and in the map attached is hereby certified as reasonably accurate in measurement according to the standards adopted by the Road Running Technical Council. If *any* changes are made to the course, this certification becomes void, and the course must then be recertified.

Verification of Course — In the event a National Open Record is set on this course, or at the discretion of USA Track & Field, a verification remeasurement may be required to be performed by a member of the Road Running Technical Council. If such a remeasurement shows the course to be short, then all pending records will be rejected and the course certification will be cancelled.

This certification expires on December 31 in the year 2027

AS NATIONALLY CERTIFIED BY:



Date: Aug. 21, 2017

Neyl A Marquez – USATF/RRTC Certifier & IAAF-AIMS Course Measurer (A)
 7925 West Palos Ave, Palos Park, IL 60464 – +1 312 933 3796 – neylamj@gmail.com